

Main specification parameter for Track chains

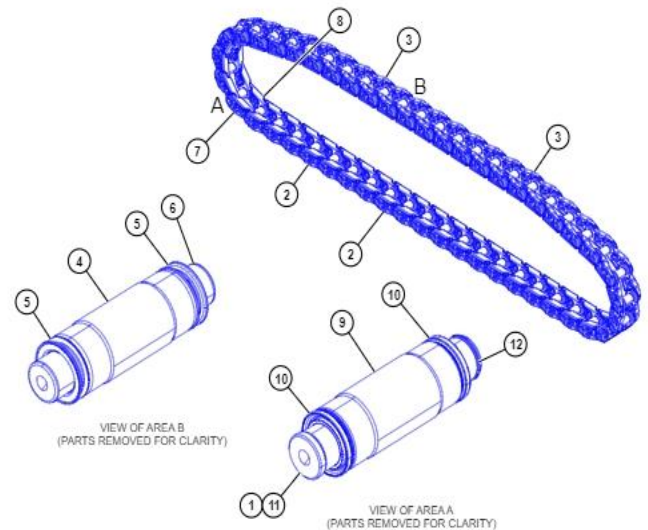
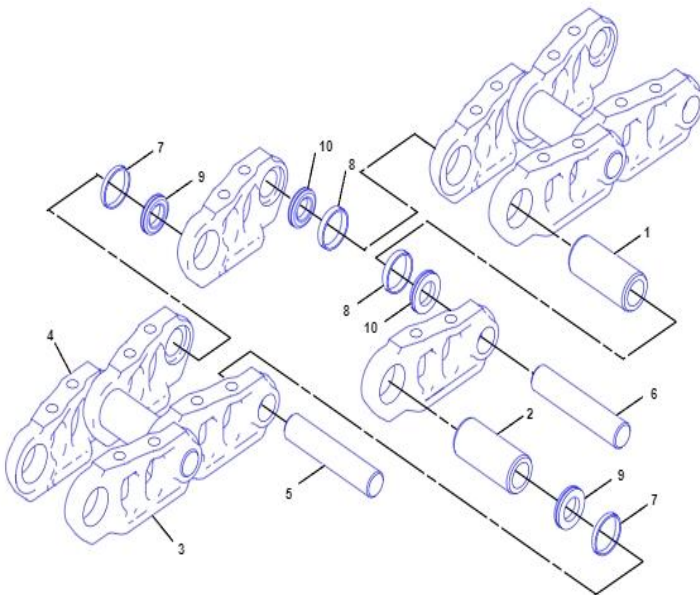
Brand	Model	Product Name	Part Number	Assembly Quantity	Weight
Caterpillar	D8T	Dozer Track Chains	1570527	2	1191kg

Compatible Equipment Models: 1570527

D8T	D8R	D8R II
-----	-----	--------



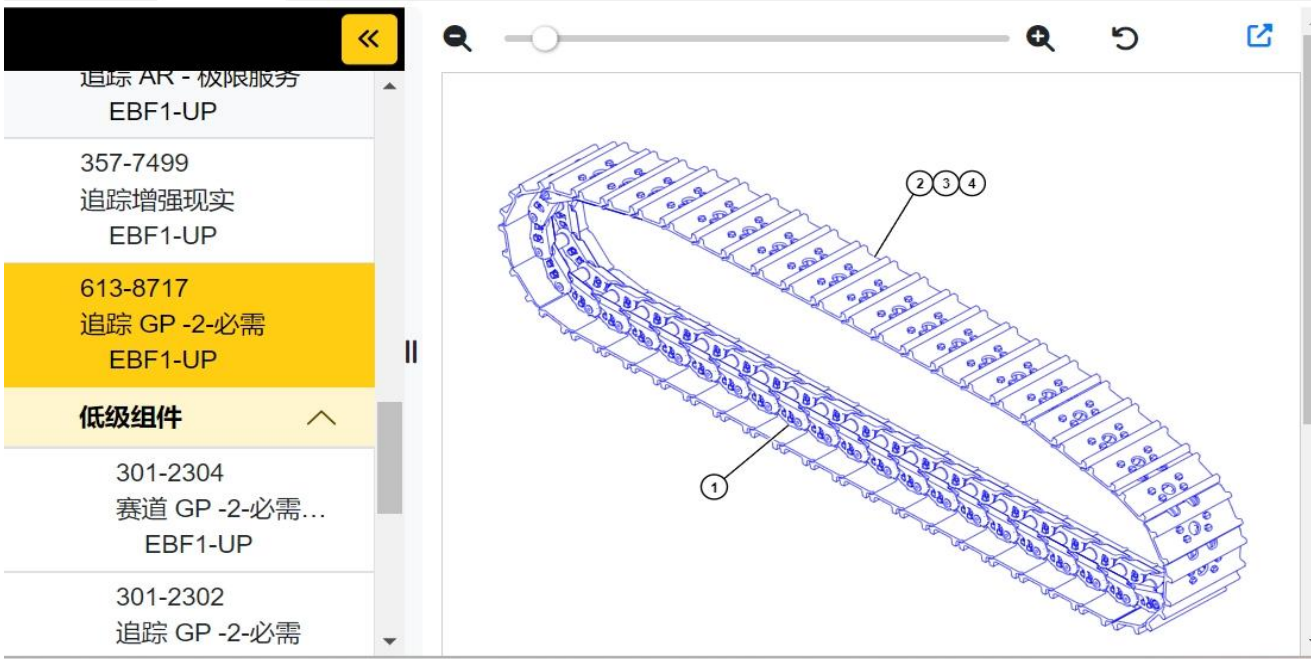
Product Details



Dozer Track Chains

1570527

仪表盘 部分 维修 服务 故障排除 3D 模型



STONE: Construction machinery parts expert in China



We are committed to providing a variety of parts including bulldozers, excavators and wheel loaders for well-known brands such as Carter and Komatsu. Our product line covers a full range of OEM parts, such as Track Chain, Track Rollers, Sprocket, Excavator Buckets, Blades, Excavator Cylinders, Swing Circles, and various electrical and hydraulic components to ensure that our customers' stringent requirements for quality and performance are met.



Stone (Shanghai) Engineering Machinery Co., Ltd. is a leading supplier of engineering machinery parts, focusing on providing high-quality parts for mining companies. Since its establishment in 2004, we have been based in Shanghai, China, and have built our own brand STONE, becoming a trusted choice in the industry.

Stone (Shanghai) Engineering Machinery Co., Ltd
sale@shmpine.com [whatsapp:+8613671661119](https://www.whatsapp.com/channel/002991661119)